

Oil Pressure Gauge

Part Number: 1TR1AA004R

DIGITAL OIL PRESS GAUGE

DISPLAY RANGE :

0 ~ 150 PSI

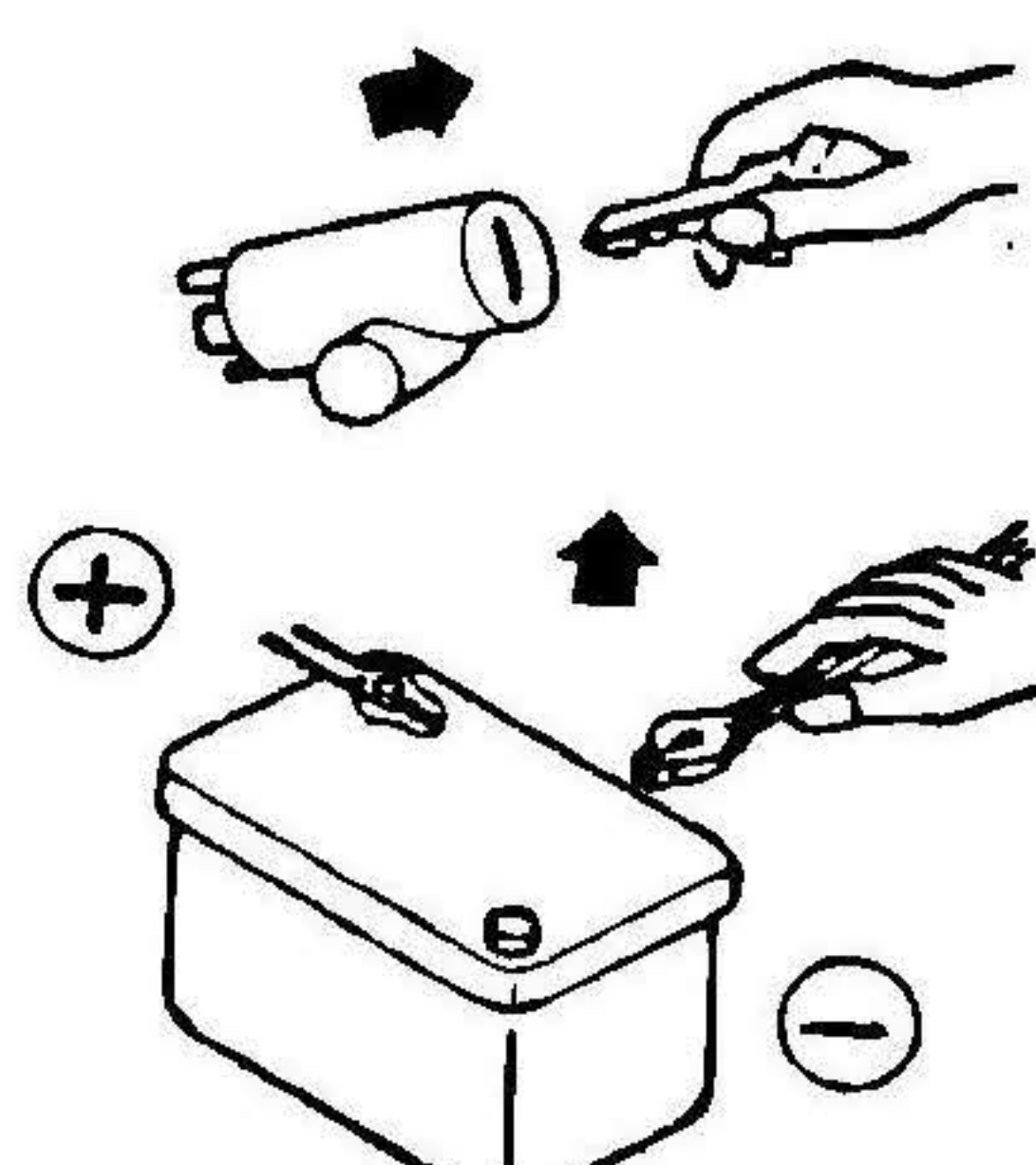
1 Check and verify all included items:

- (1) 52mm Oil Pressure Gauge
- (1) Power Harness
- (1) Oil Pressure sensor and wiring harness
- (1) Mounting Pod
- (1) Sun Shade (Hood)
- (1) 3M double sided tape
- (2) Mounting Bracket Threaded Extension
- (2) Washers
- (2) Nuts
- (1) Mounting Bracket

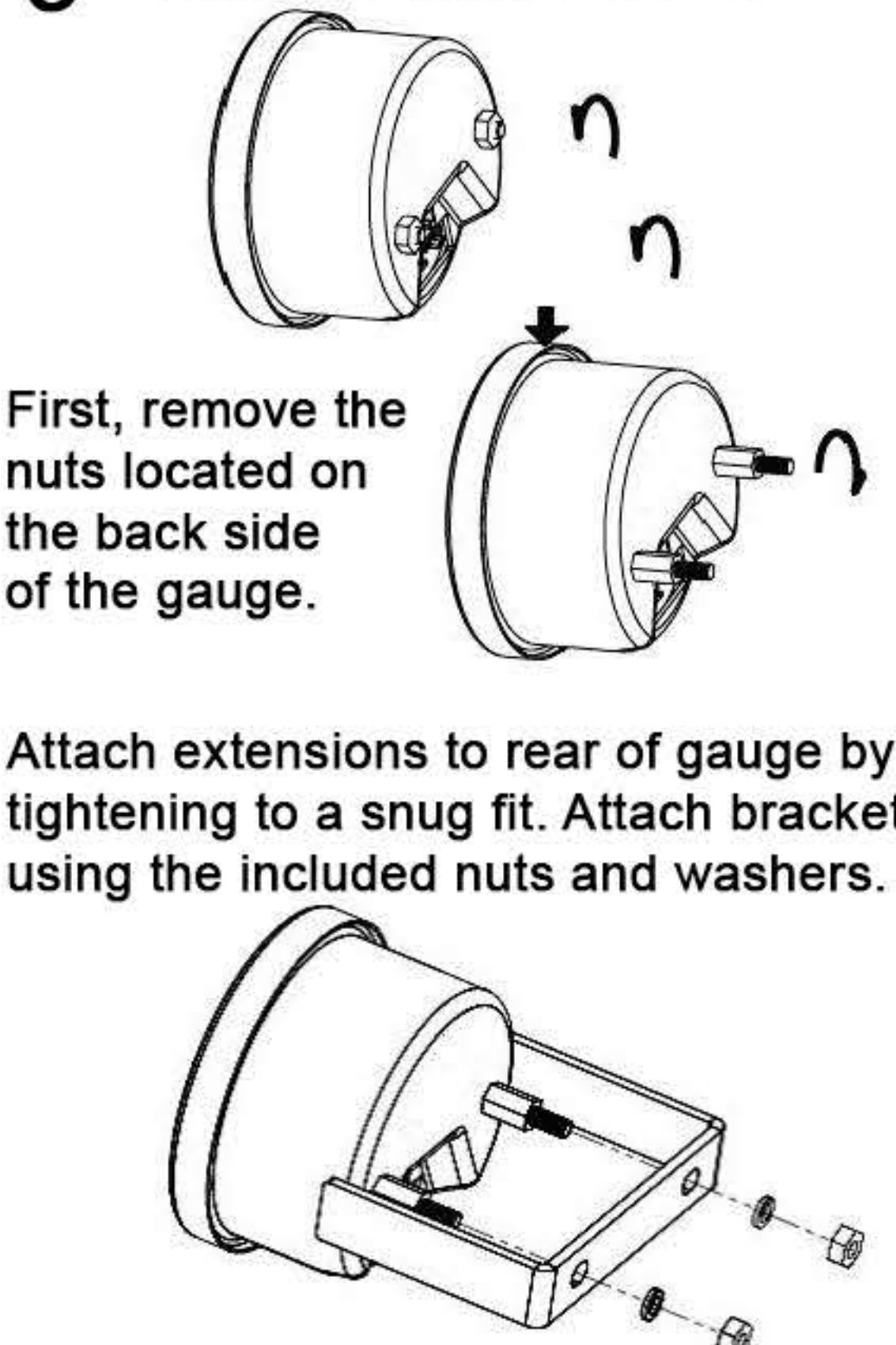
*NOTE
Depending on the location of the sensor where it will be installed, an adapter or attachment may be required.

*VLS gauges are daisy chain compatible only with VLS OLED gauges.

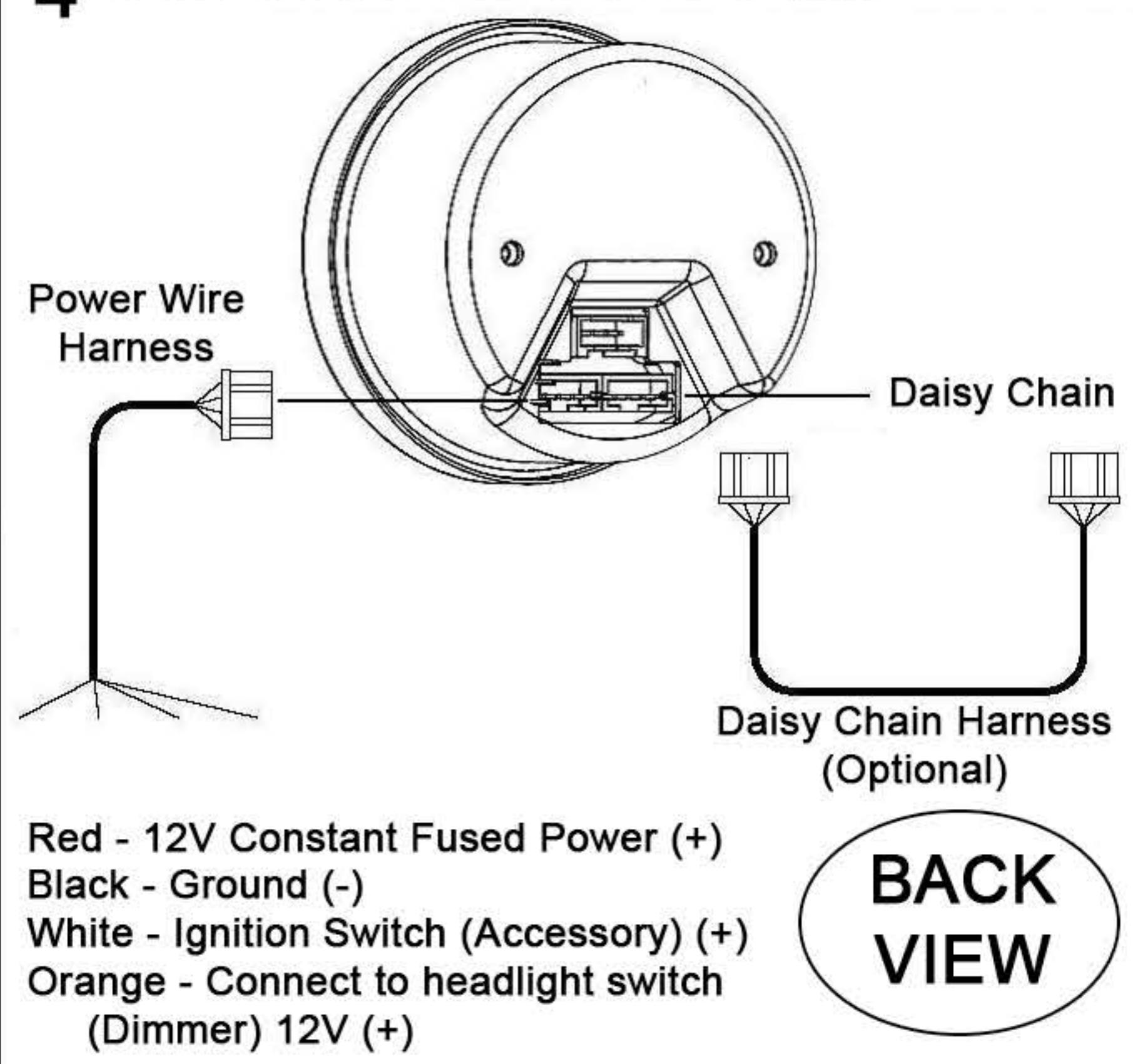
2 Make sure the car is turned off and disconnect the battery before attempting any electrical work.



3 Optional mounting bracket:

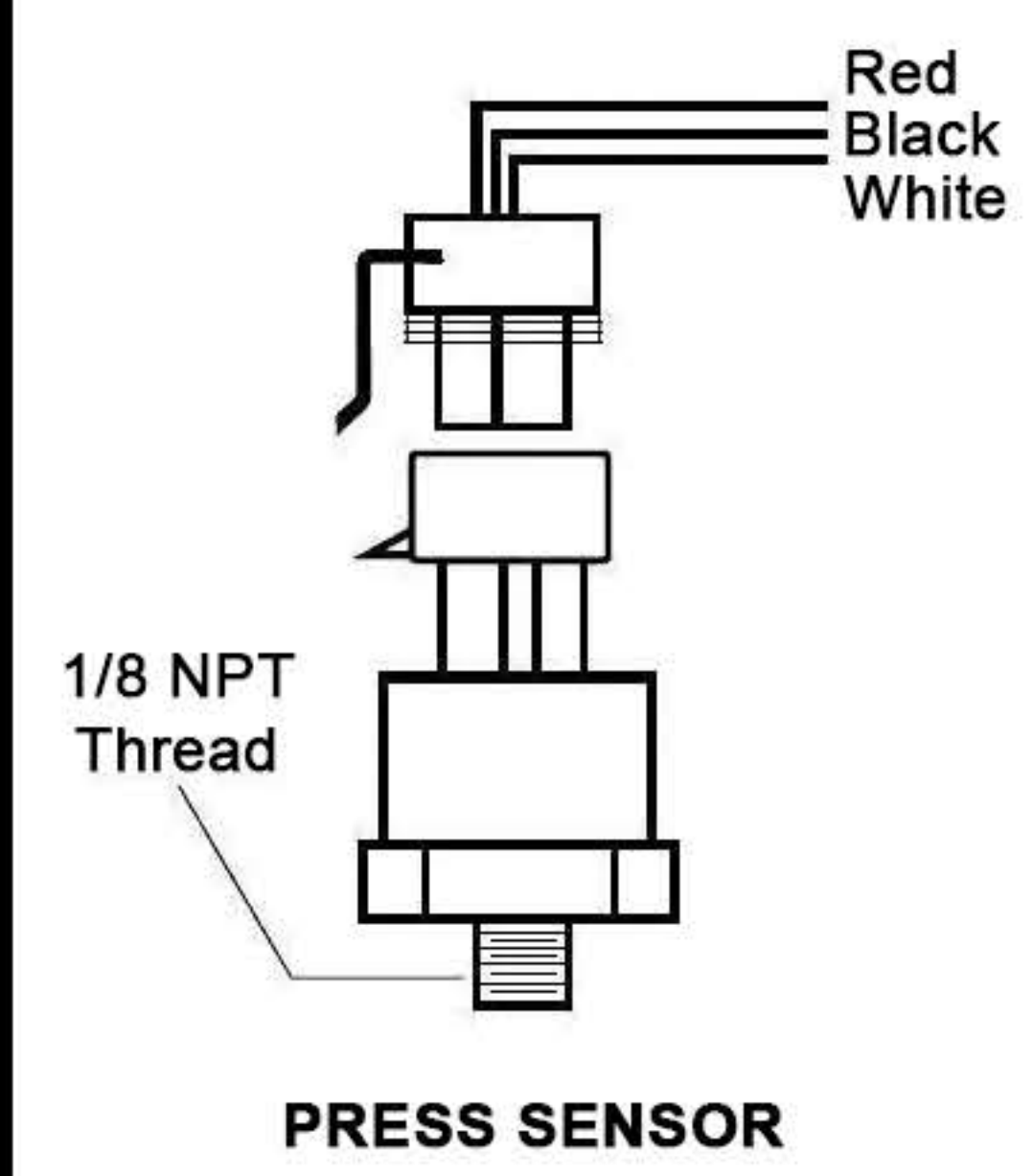


4 Plug power wire harness to rear of gauge.

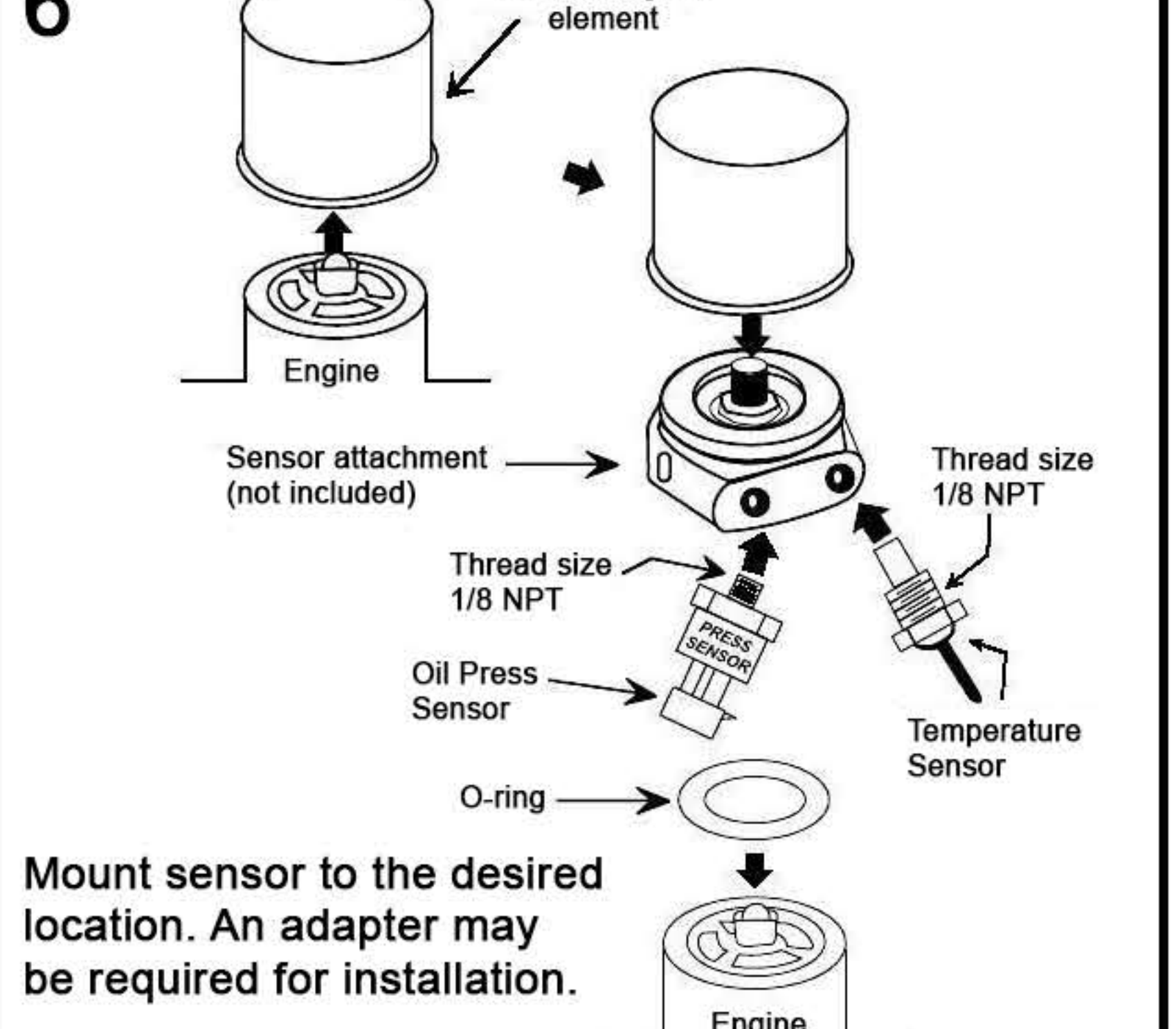


Red - 12V Constant Fused Power (+)
Black - Ground (-)
White - Ignition Switch (Accessory) (+)
Orange - Connect to headlight switch (Dimmer) 12V (+)

5 Oil pressure sensor

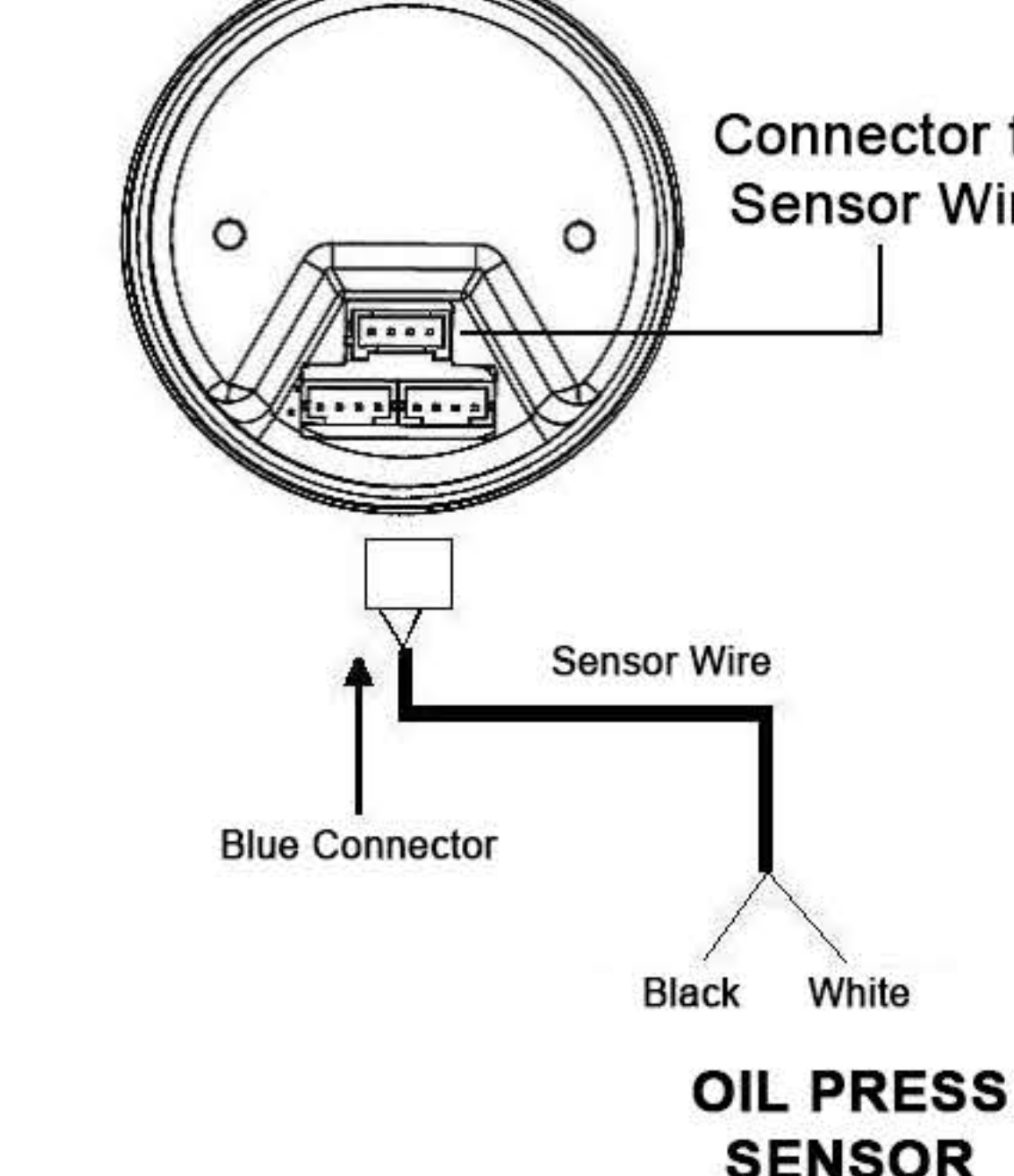


6

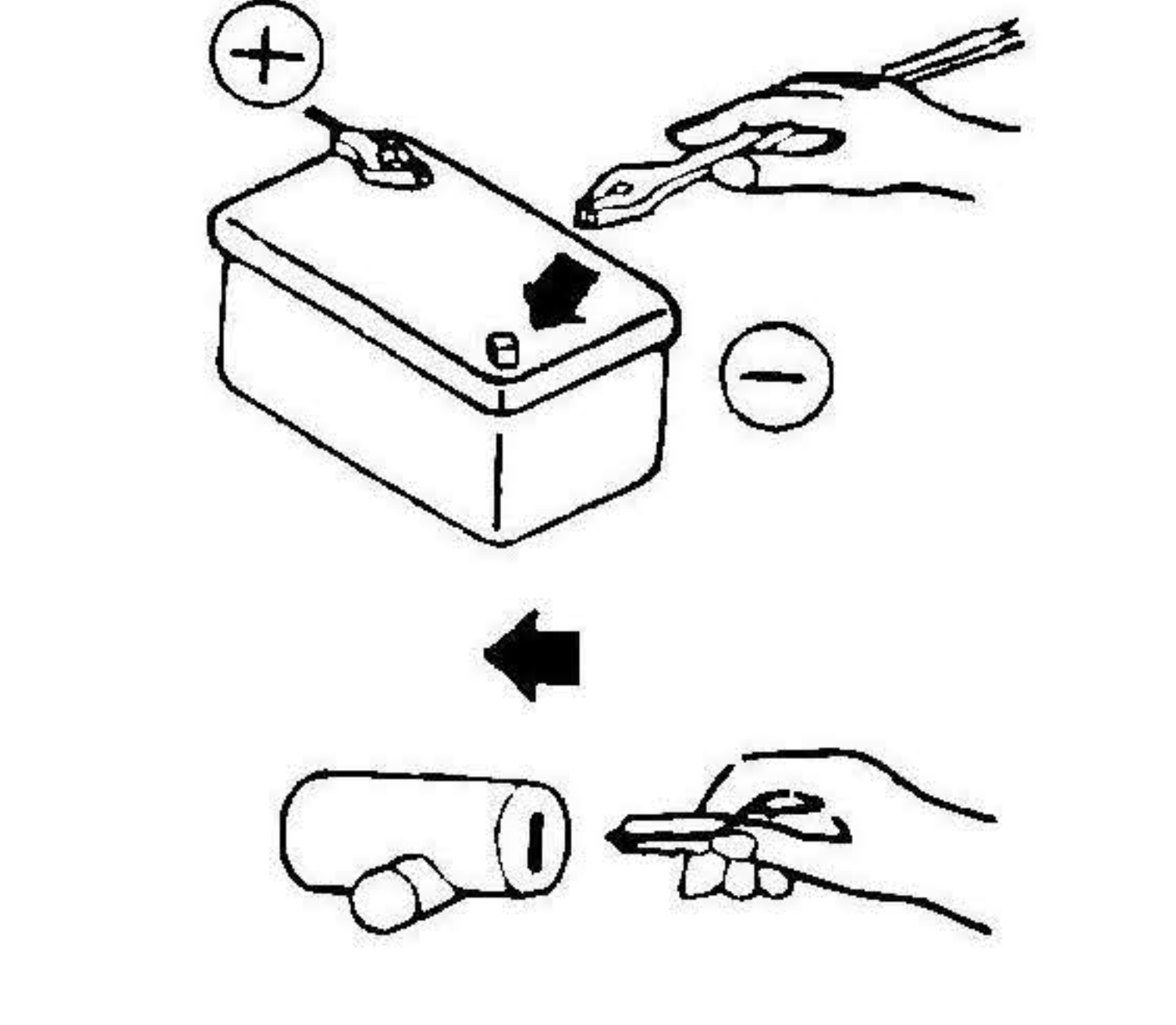


Mount sensor to the desired location. An adapter may be required for installation.

7 Plug harness sensor to rear of gauge.



8 Reconnect the battery terminals.



Water / Oil Temperature Gauge

Part Number: 1TR1AA002R / 1TR1AA003R

DIGITAL TEMP GAUGE

DISPLAY RANGE :

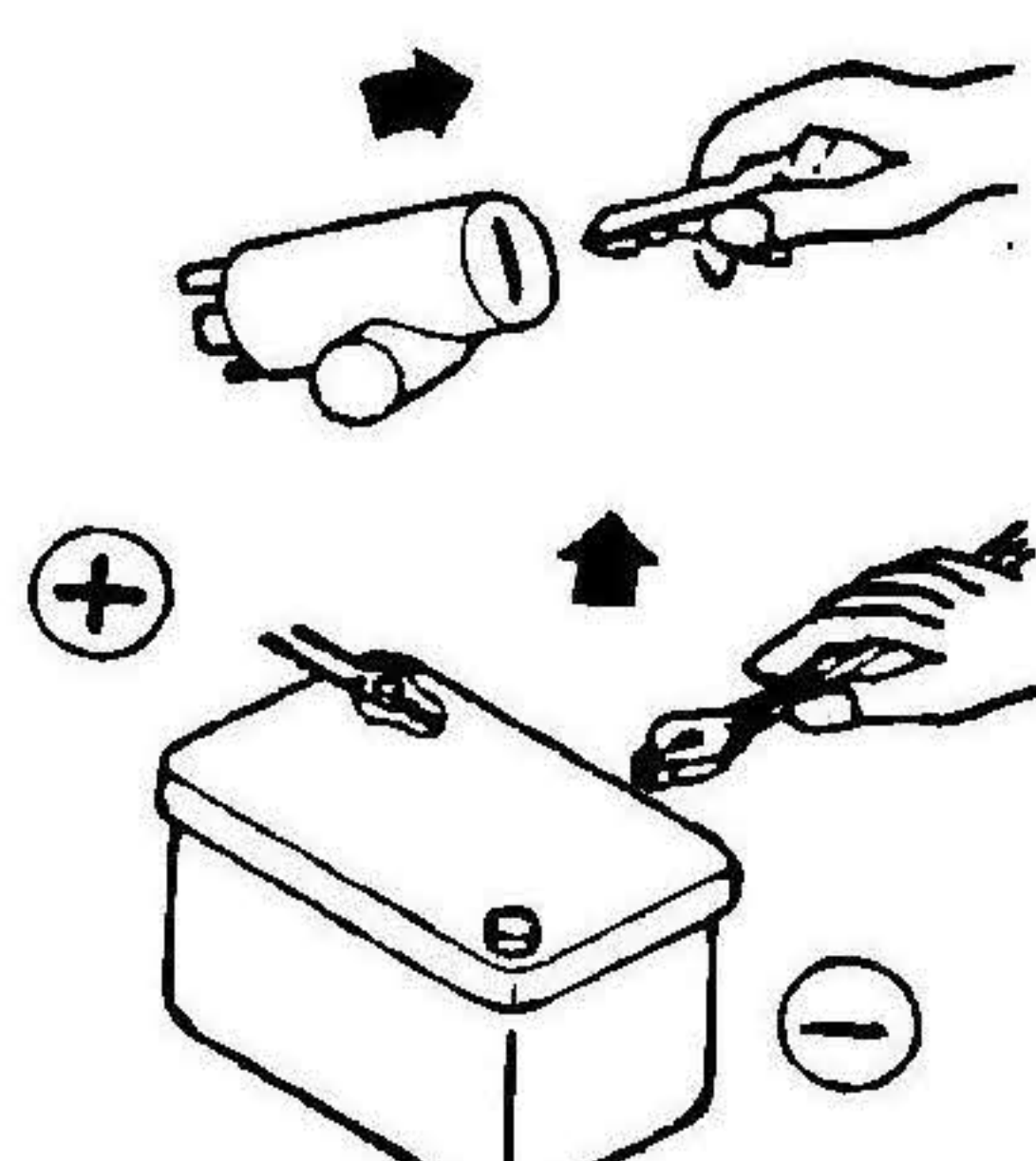
100 ~ 300 °F

1 Check and verify all included items:

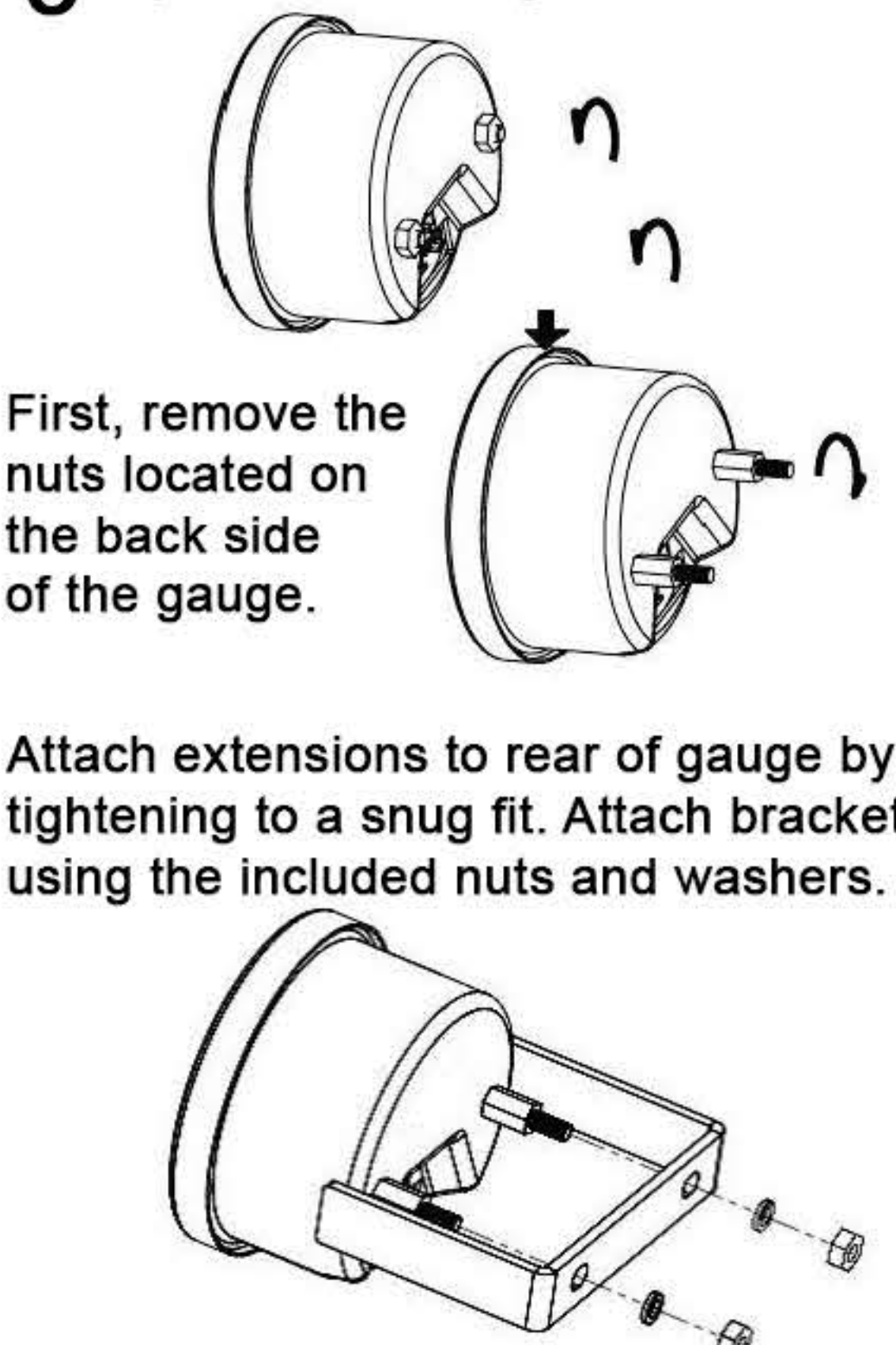
- (1) 52mm Water / Oil Temperature Gauge
- (1) Power Harness
- (1) Daisy Chain Harness
- (1) Water / Oil Temperature sensor and wiring
- (1) Mounting Pod
- (1) Sun Shade (Hood)
- (1) 3M double sided tape
- (2) Mounting Bracket Threaded Extension
- (2) Washers
- (2) Nuts
- (1) Mounting Bracket

*VLS gauges are daisy chain compatible only with VLS OLED gauges.

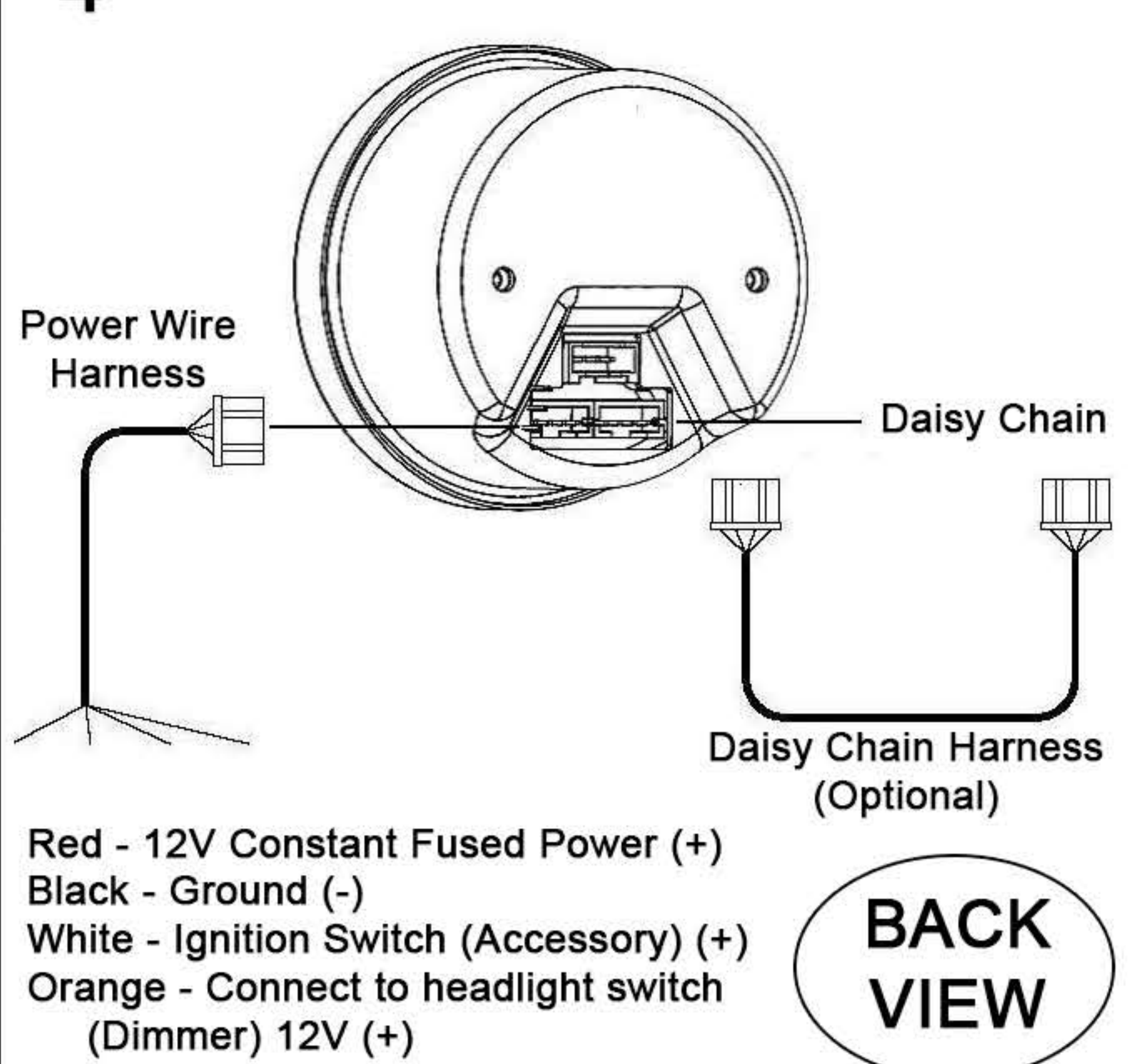
2 Make sure the car is turned off and disconnect the battery before attempting any electrical work.



3 Optional mounting bracket:

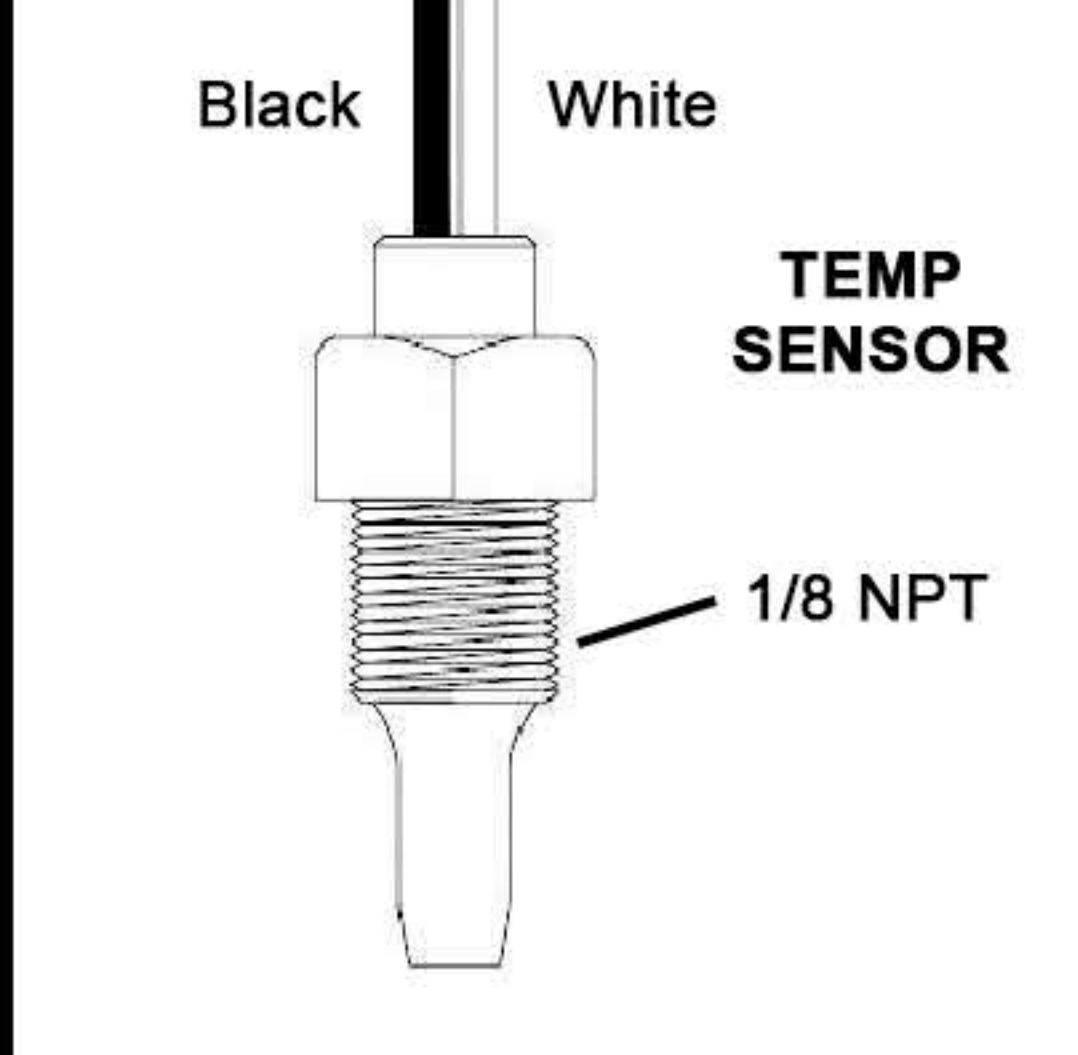


4 Plug power wire harness to rear of gauge.

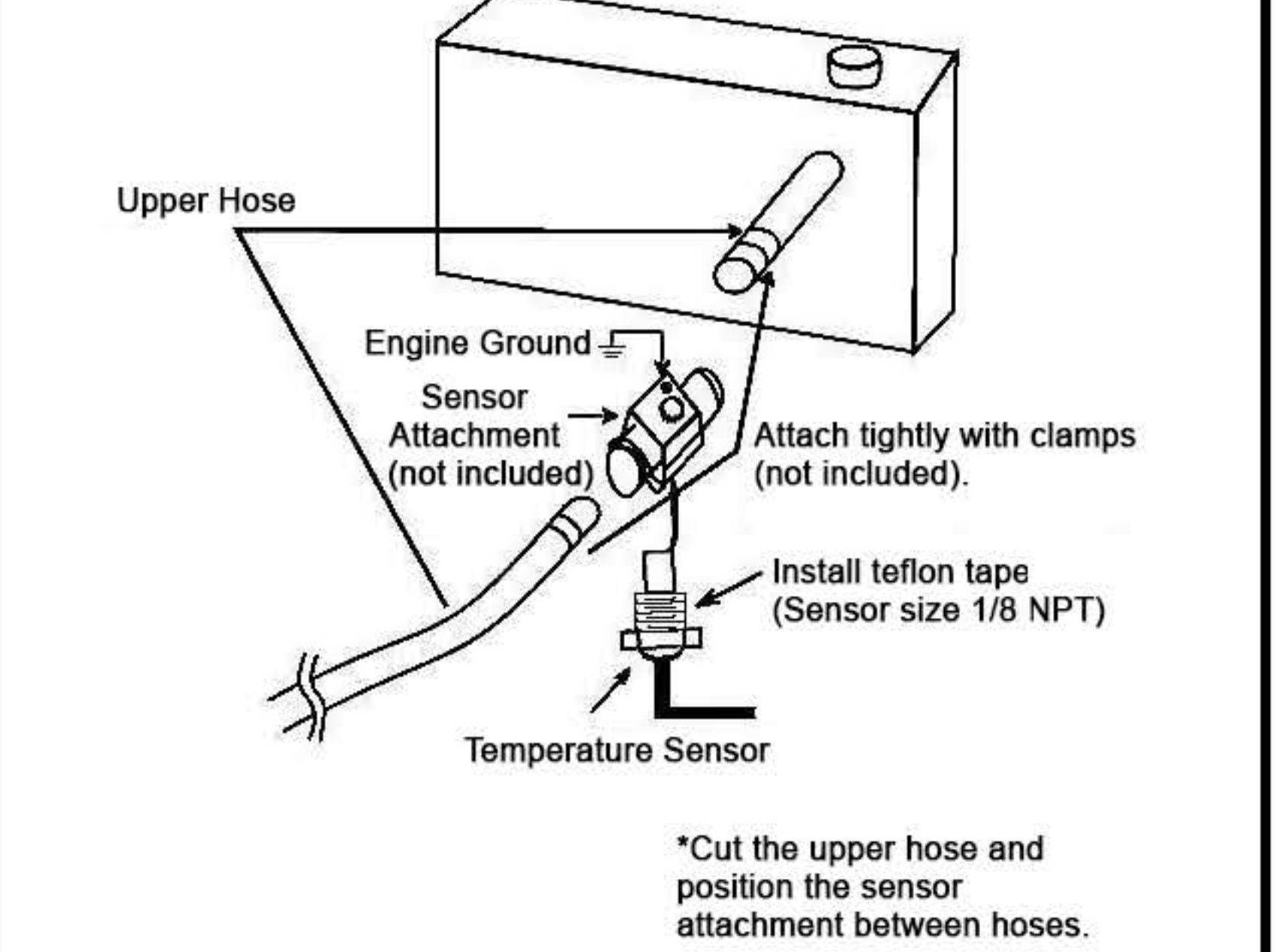


Red - 12V Constant Fused Power (+)
Black - Ground (-)
White - Ignition Switch (Accessory) (+)
Orange - Connect to headlight switch (Dimmer) 12V (+)

5 Water / Oil temperature sensor

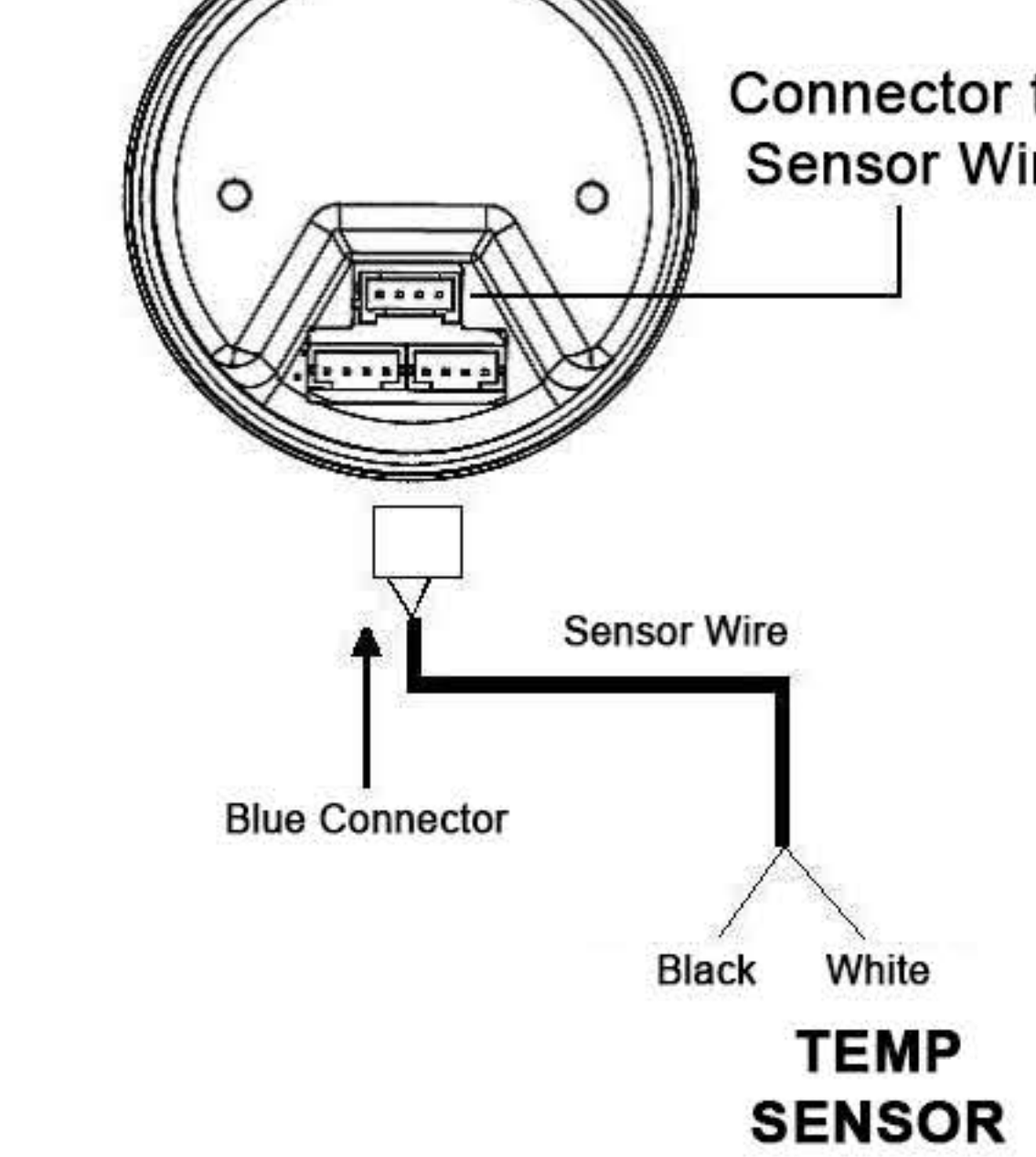


6 For water temp sensor: install sensor along the water line from radiator

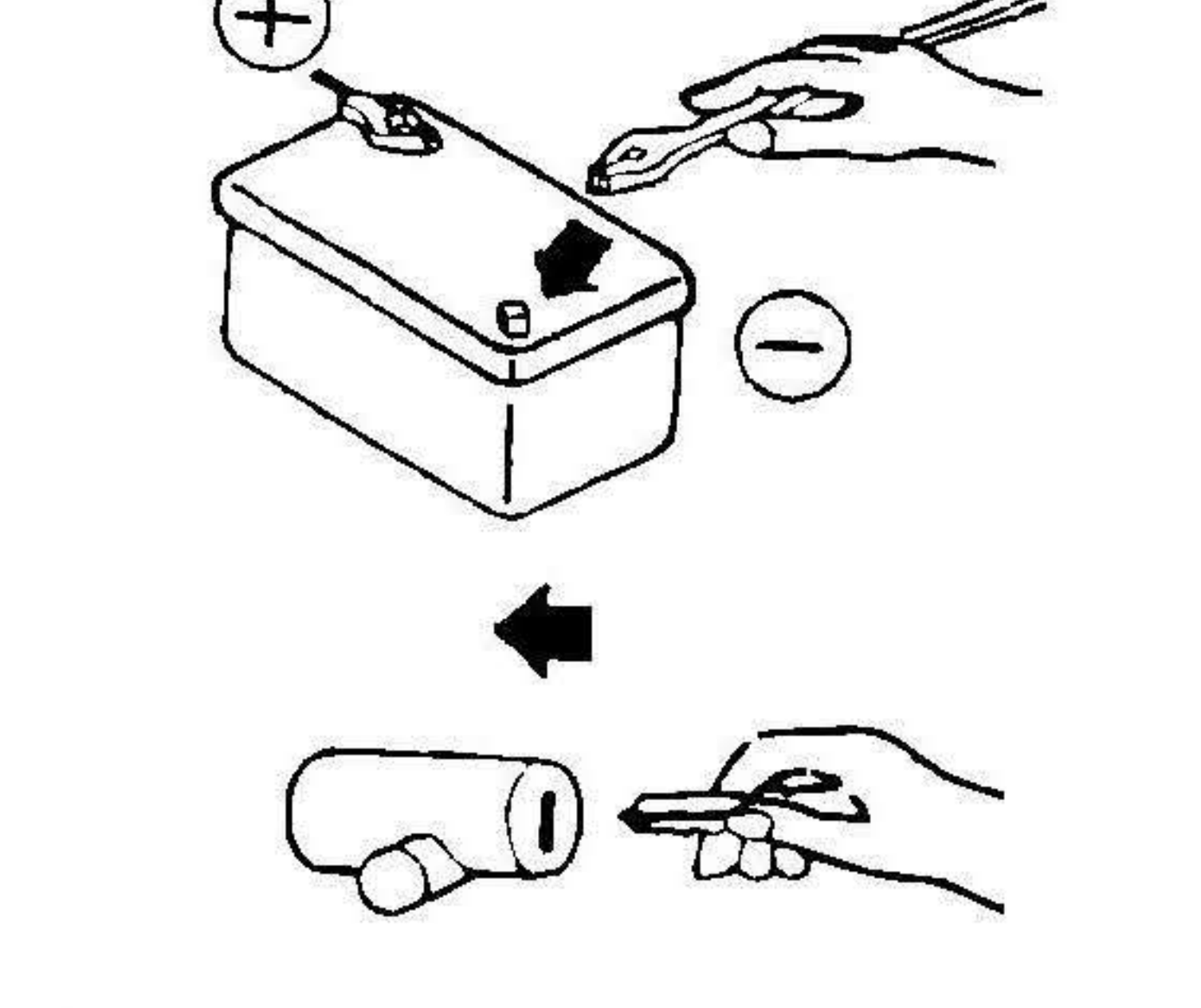


*Cut the upper hose and position the sensor attachment between hoses.

7 Plug harness sensor to rear of gauge.



8 Reconnect the battery terminals.



Boost / Vacuum Gauge

Part Number: 1TR1AA001R

DIGITAL BOOST / VACUUM GAUGE

DISPLAY RANGE :

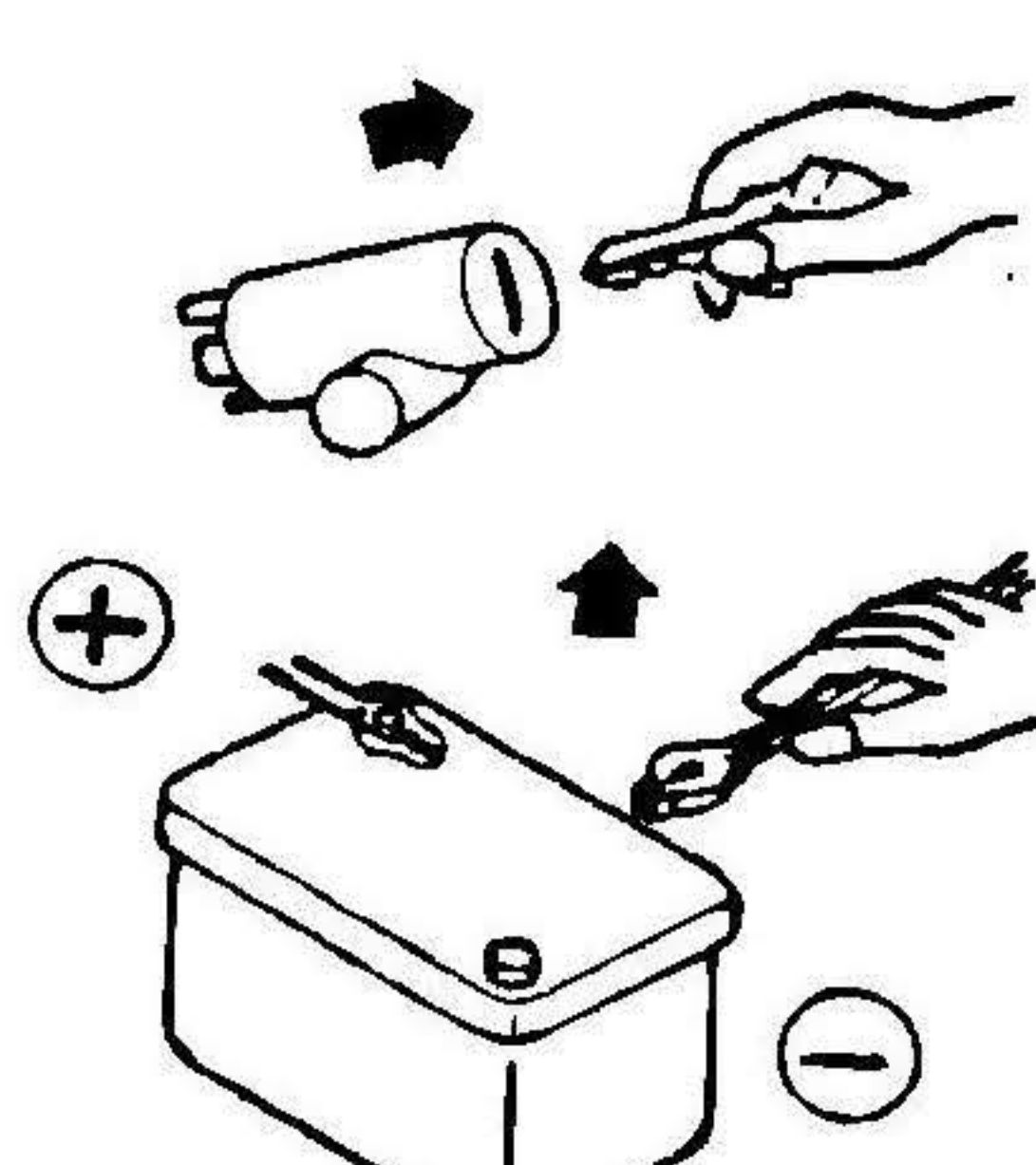
30 inHG ~ 45 PSI

1 Check and verify all included items:

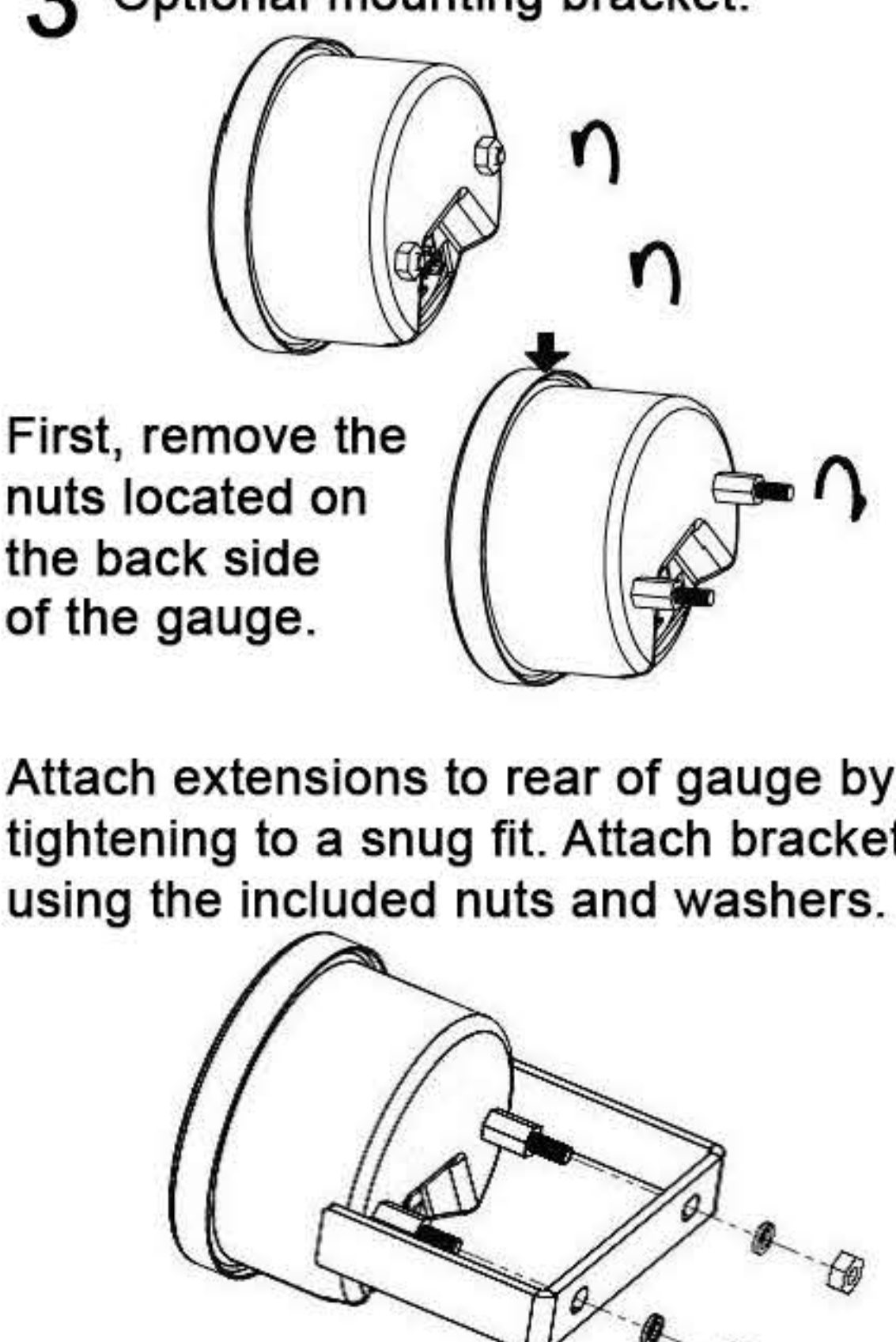
- (1) 52mm Boost / Vacuum Gauge
- (1) Power Harness
- (1) Boost / Vacuum sensor and wiring harness
- (1) Mounting Pod
- (1) Sun Shade (Hood)
- (1) 3M double sided tape
- (2) Mounting Bracket Threaded Extension
- (2) Washers
- (2) Nuts
- (1) Mounting Bracket

*VLS gauges are daisy chain compatible only with VLS OLED gauges.

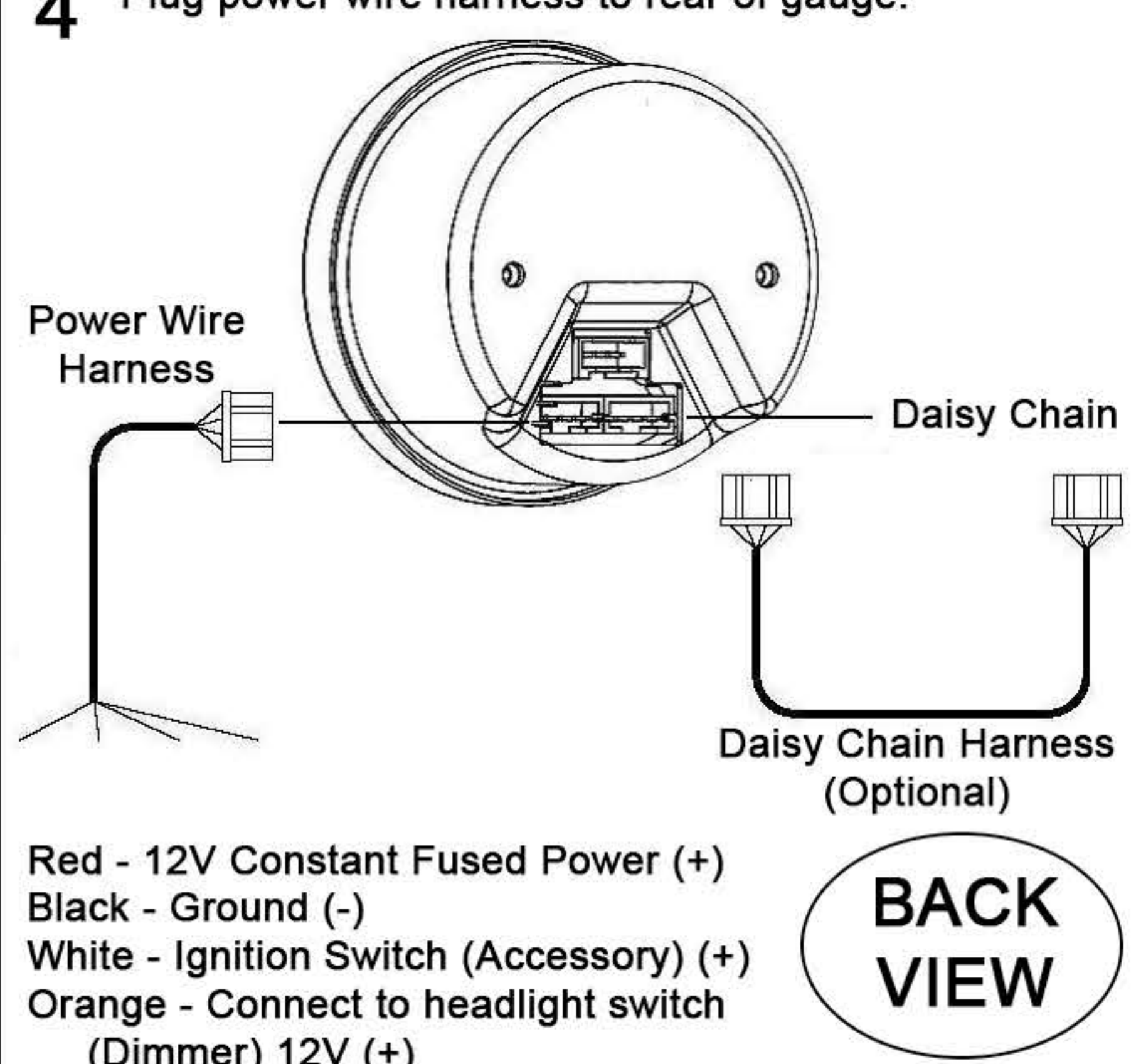
2 Make sure the car is turned off and disconnect the battery before attempting any electrical work.



3 Optional mounting bracket:

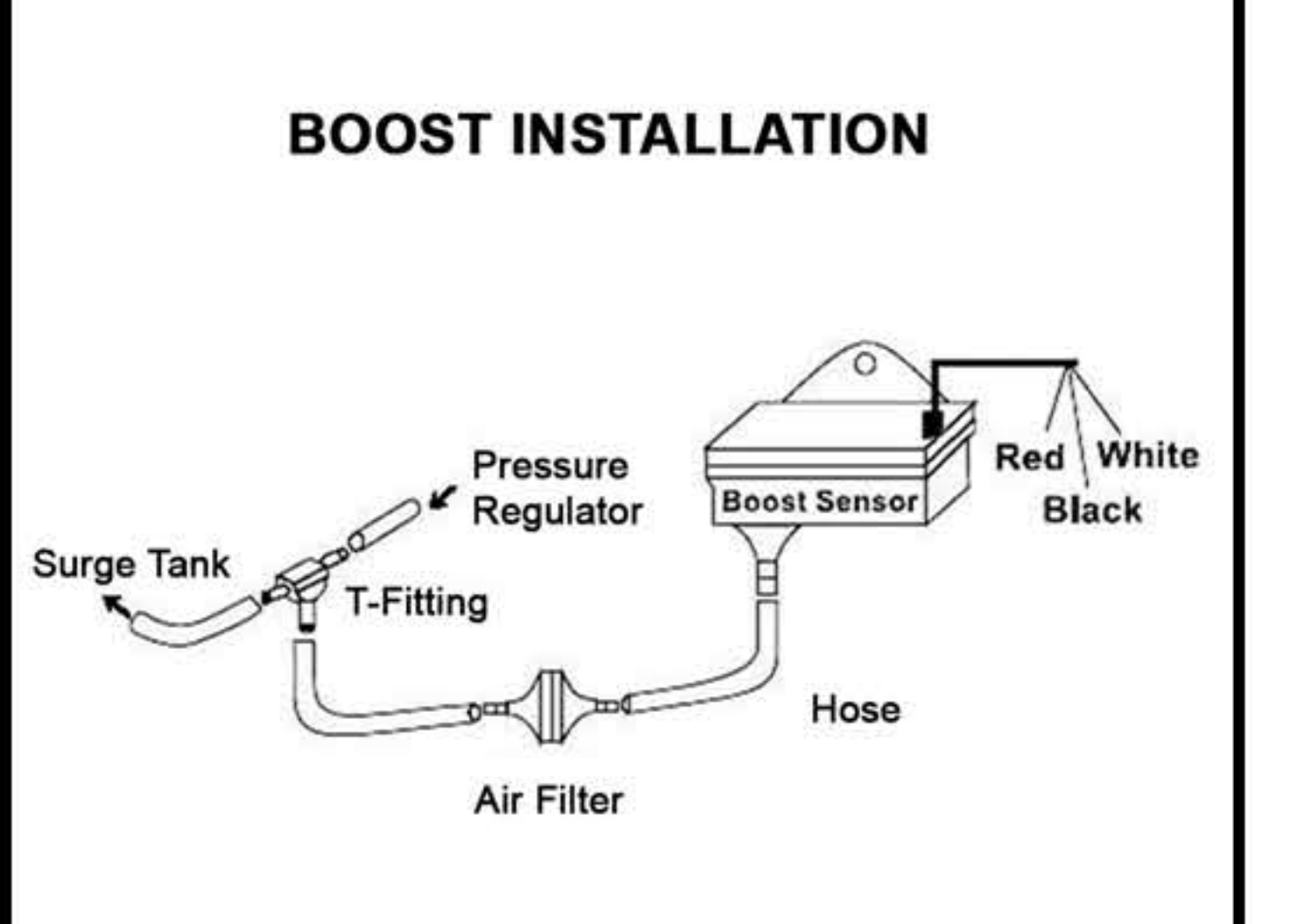


4 Plug power wire harness to rear of gauge.



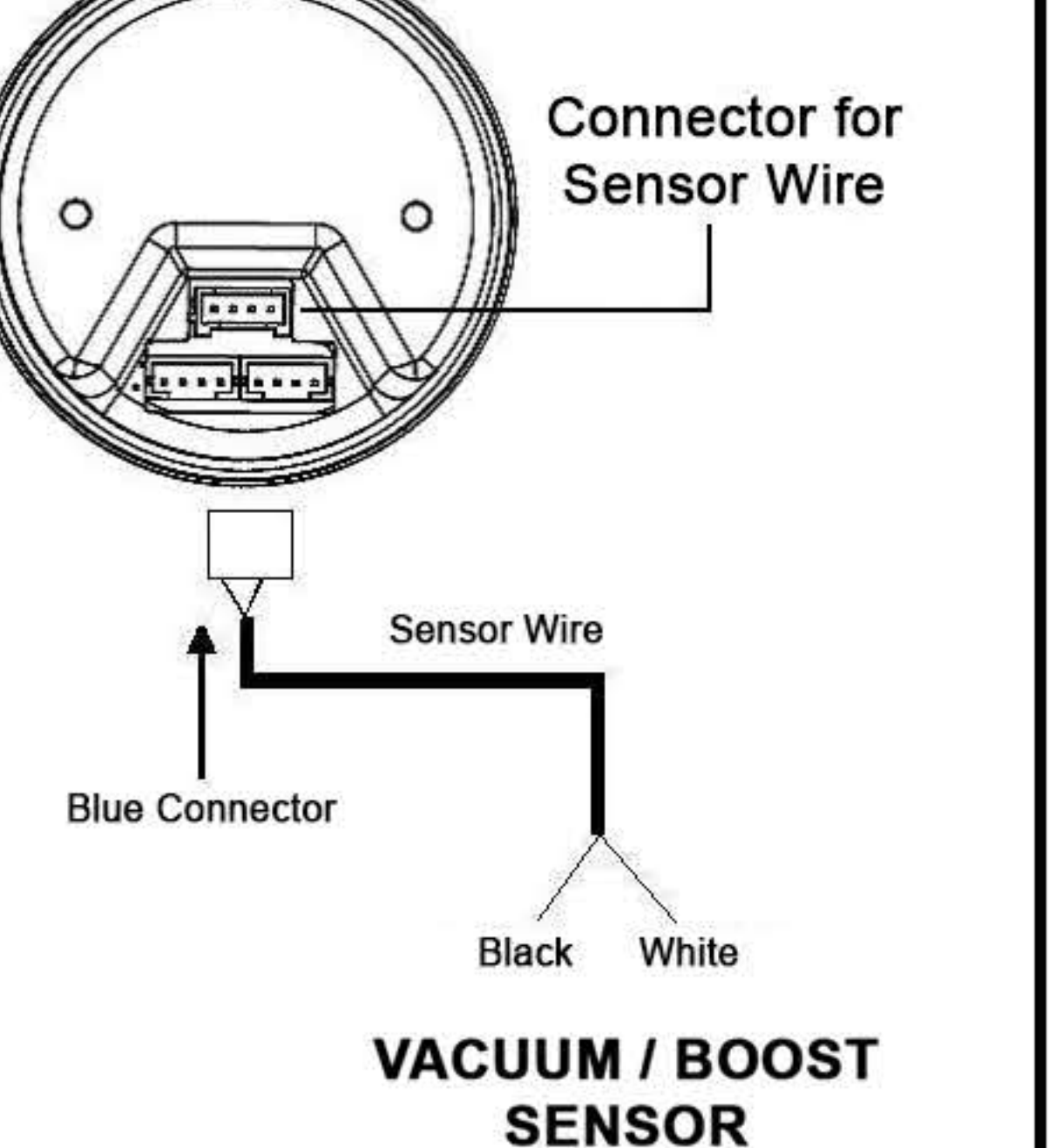
Red - 12V Constant Fused Power (+)
Black - Ground (-)
White - Ignition Switch (Accessory) (+)
Orange - Connect to headlight switch (Dimmer) 12V (+)

5 Install boost sensor in a dry area of the engine bay.

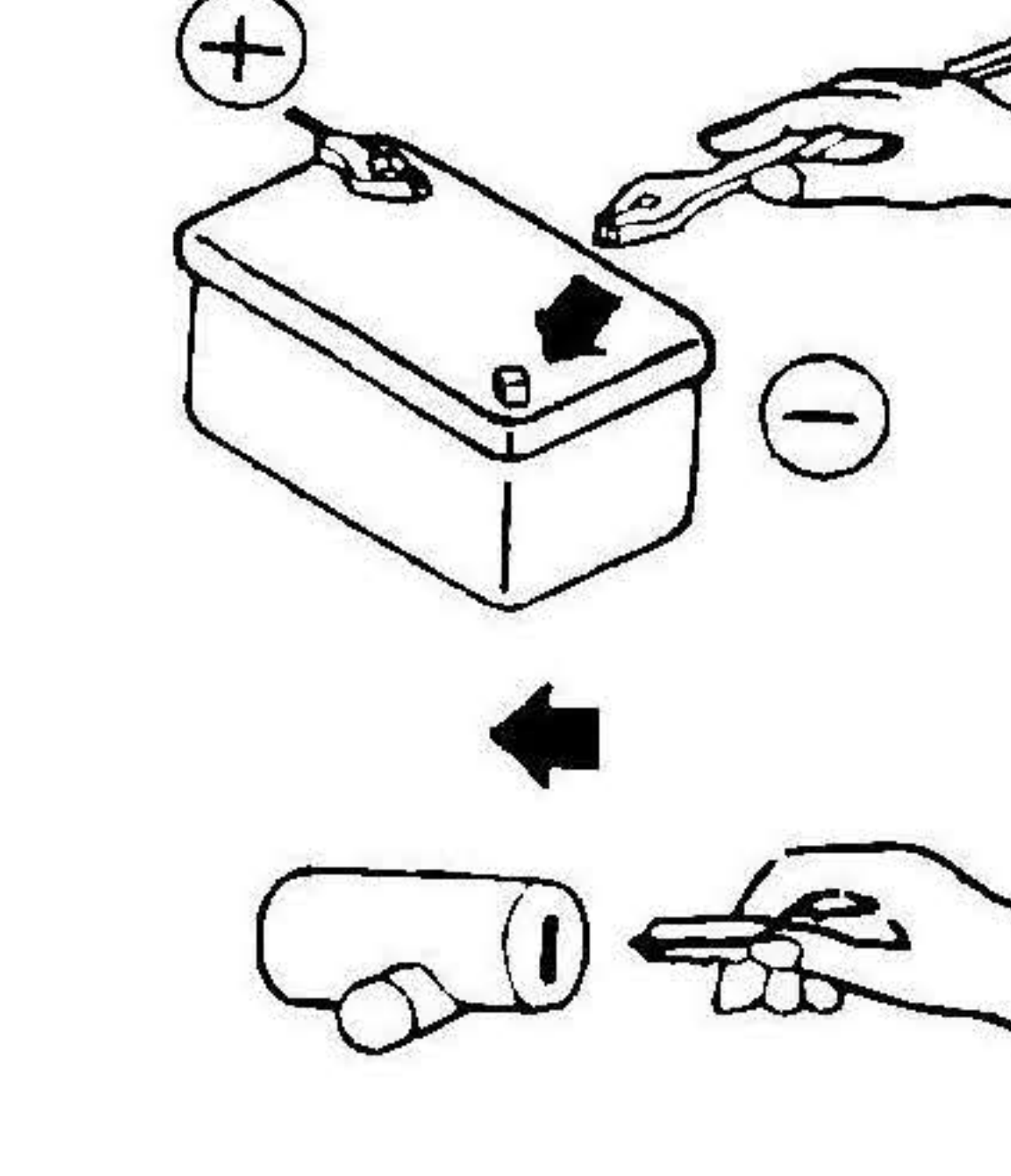


For vacuum gauge function, connect sensor to vacuum line from intake manifold.

6 Plug harness sensor to rear of gauge.

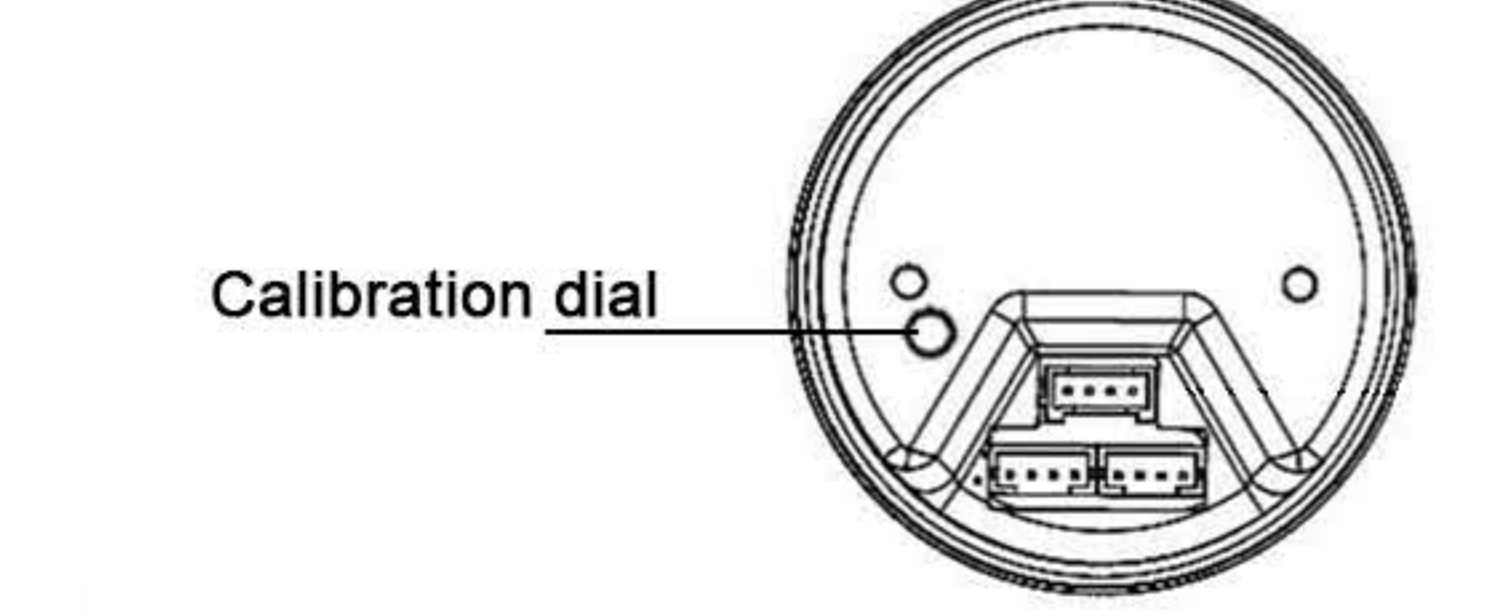


7 Reconnect the battery terminals.



8 Boost / Vacuum Gauge Recalibration:

- Boost Gauge may need to be recalibrated depending on usage and/or climate or altitude changes. To recalibrate the gauge:
1. Turn the car OFF.
 2. Turn car to ON without starting the engine.
 3. Use a small screwdriver to turn the calibration dial on the back of the gauge.
 4. Turn the dial until the gauge reads "0".
 5. Turn the engine ON.



TERMS AND CONDITIONS

Limited Warranty

We warrant all of our parts against defects in materials or workmanship under normal use and service after proper installation, (subject to the conditions and exclusions described below) for a period of one (1) year from the original consumer's date of purchase. During the warranty period, we will, at our option, repair or replace the defective part or refund your money. This warranty does not cover labor reimbursement. This warranty is non-transferrable. Replacement parts are warranted from the date of exchange for a period of one (1) year. The following is a non-exclusive list of examples that are not considered defects: failure due to accident or collision, chemical fallout, corrosion due to salt or other environmental conditions including natural disasters; improper installation, self-installation, or modification of the part; vehicles under manufacturer's recall for a related problem; and misuse or abuse, including off-road driving or racing.

THIS WARRANTY DOES NOT COVER INCIDENTAL, INDIRECT, SPECIAL OR CONSEQUENTIAL DAMAGES SUCH AS PHYSICAL INJURIES OR PROPERTY DAMAGE, LOSS OF TIME, LOSS OF USE OF THE VEHICLE, INCONVENIENCE, RENTAL VEHICLE CHARGES, TOWING CHARGES OR ACCOMMODATIONS RESULTING FROM A DEFECT IN OR FAILURE OF THE PART. THIS WARRANTY REPRESENTS THE EXCLUSIVE REMEDY FOR ANY PRODUCT DEFECT OR FAILURE AND THE MANUFACTURER MAKES NO OTHER WARRANTIES EXPRESS OR IMPLIED INCLUDING ANY WARRANTY OF MERCHANTABILITY, CONDITION OF ANY KIND, OR FITNESS FOR A PARTICULAR PURPOSE. Some states do not allow disclaimers of implied warranties, and in those states any implied warranty that may apply is limited to one year. If any provision of the warranty should be deemed invalid or unenforceable, the remaining terms and provisions of the warranty shall remain in full force and effect.

To file a claim:
You must obtain a Return Authorization from the original place of purchase prior to returning parts for inspection for defects. Returns must accompany the original consumer's sales receipt. The R.A. number must be written on the outside of the carton to be returned. Any carton without a proper R.A number will be refused. An R.A. does not guarantee repair, replacement or refund, only that the manufacturer will inspect the parts for defects. Returns must be sent by pre-paid freight.